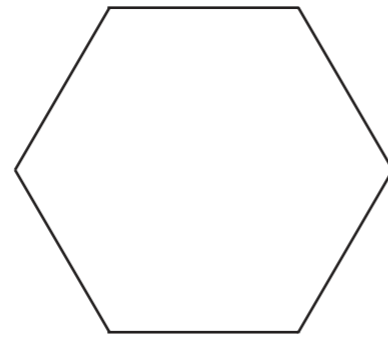
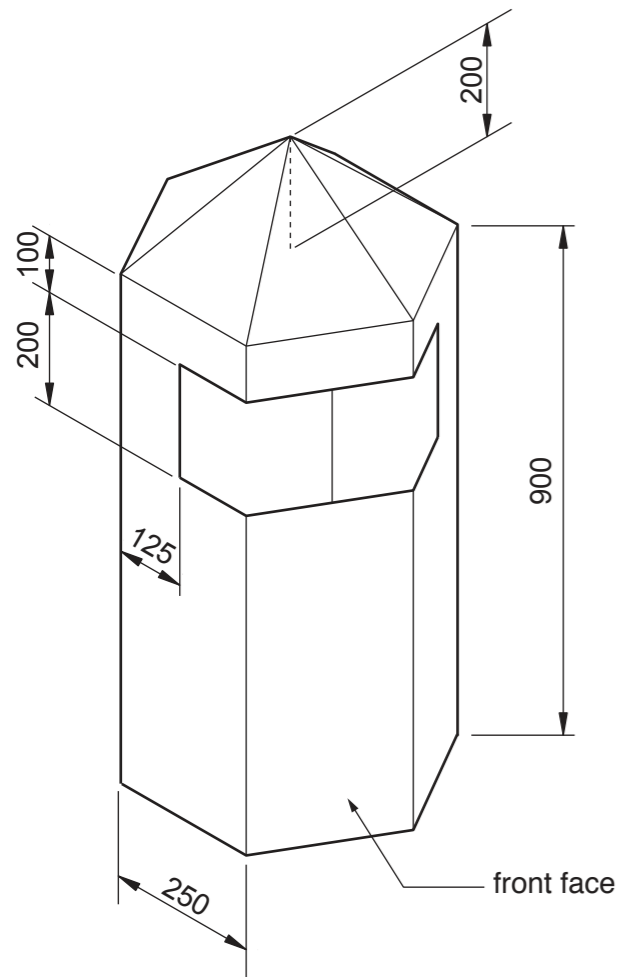
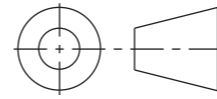


Section B
Answer **either** question **B4** or **B5**.

B4 An isometric view of a litter bin is shown below.



plan



side view

(a) Complete the orthographic views of the litter bin to a scale of 1:10. [13]

front view

(c) The image to the right has been produced using Computer Aided Design (CAD).

(i) State **two** advantages of using CAD to produce the image.

- 1
- 2 [2]

(ii) A vinyl self-adhesive sticker of the image is to be made using Computer Aided Manufacturing (CAM).

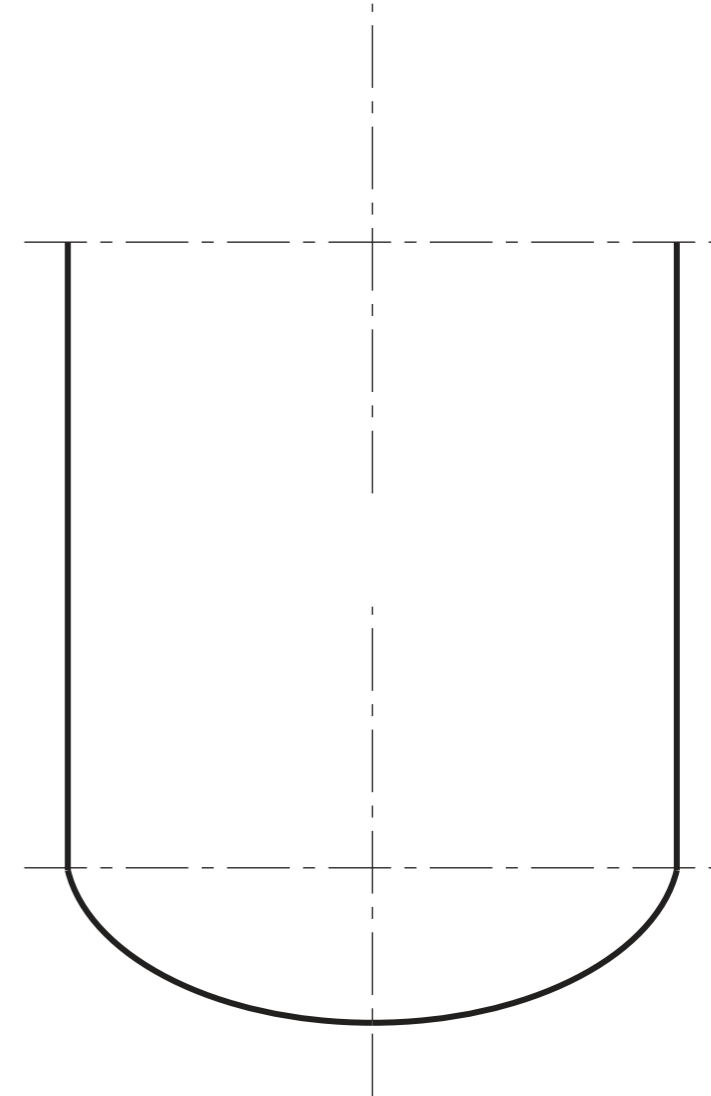
State **one** suitable CAM machine for making the sticker.

..... [1]



(b) The litter bin has a cylindrical steel liner inside which can be removed when emptying the bin.

Complete the pictorial view of the liner below by adding the top ellipse. [7]



(iii) The manufactured sticker is to be positioned on the **front face** of the litter bin below the opening.

State the maximum width & height of the sticker so that it can fit into the space available.

Width

Height [2]

For
Examiner's
use

0445/21 May/June 2019 **1 hour**
© UCLES 2019 DC (MM) 182583

Centre Number

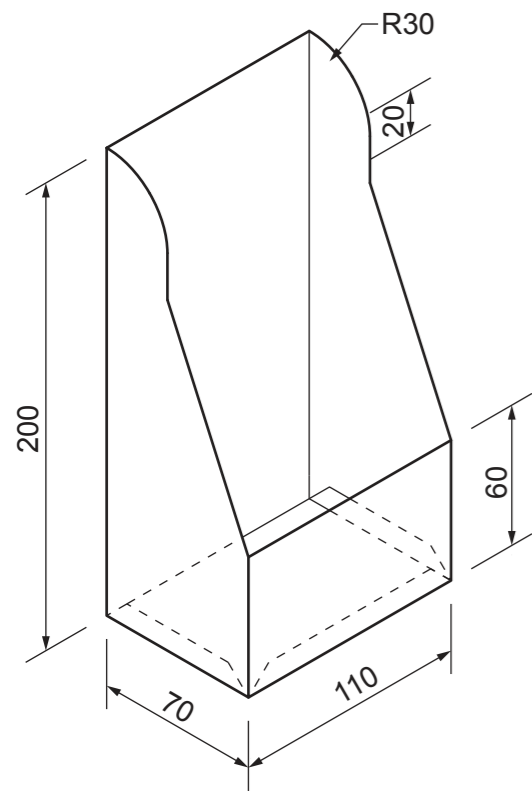
Candidate Number

Candidate Surname

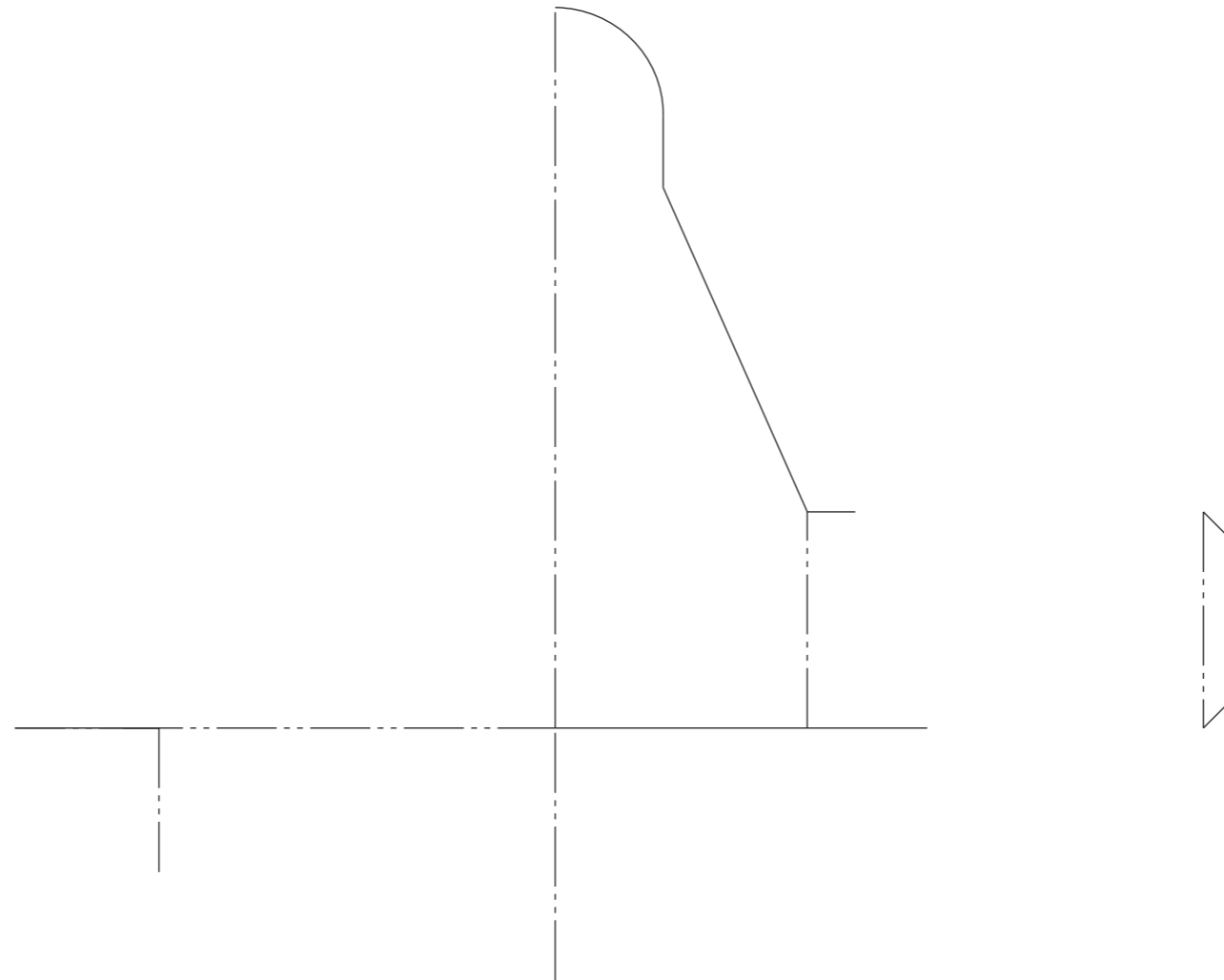
Other Names

[Turn over]

B5 A cardboard leaflet holder is shown below.



(a) Complete the development (net) of the leaflet holder to a scale of 1:2. [10]



(b) Complete the table below to show **one** tool or item of equipment you would use to produce a prototype of the leaflet development (net).

Process	Tool/item of equipment
Marking out the development (net) on card	
Scoring the fold lines	
Cutting out the development (net)	

[3]

(c) The leaflet holders are to be produced in quantities of 5 000.

(i) State a suitable adhesive for joining the development (net) together.

..... [1]

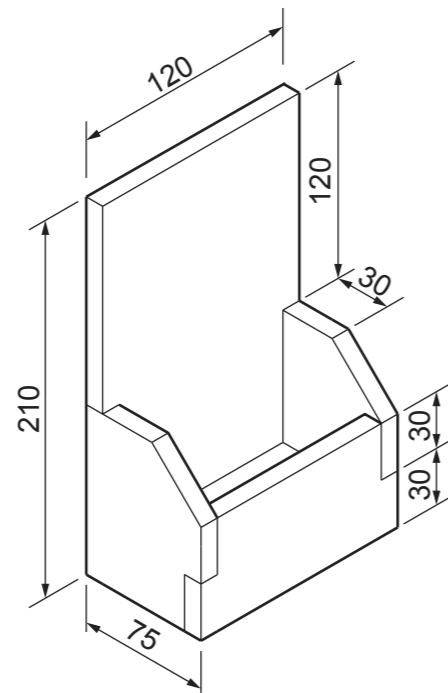
(ii) Explain **one** advantage of using a die cutter to manufacture the developments (nets).

.....

 [2]

Another leaflet holder is shown to the right.

The leaflet holder is made from 15mm thick MDF.



(d) To a scale of 1:3, complete the table by drawing the parts needed to make the leaflet holder. [9]

Base	Sides × 2	Back	Front